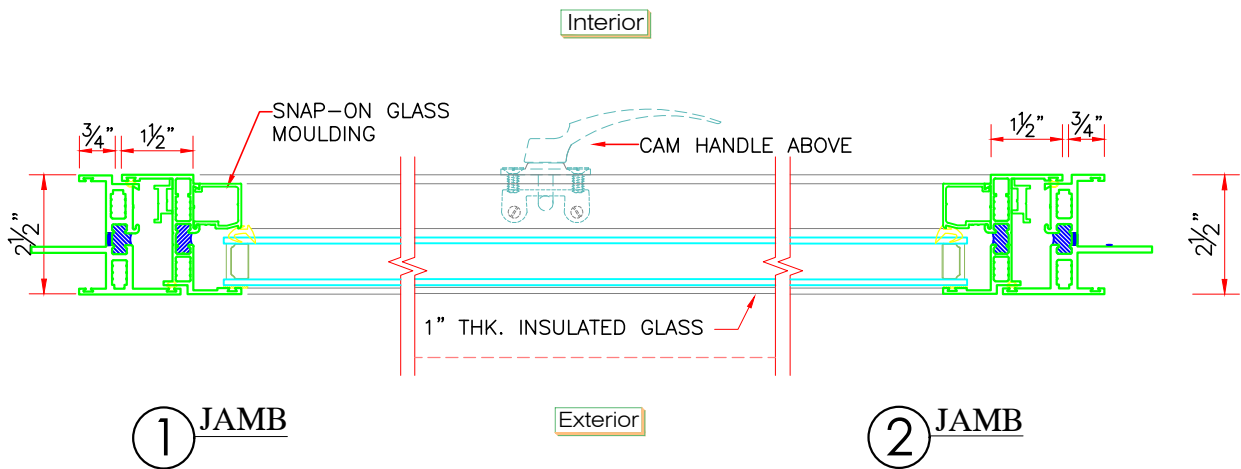
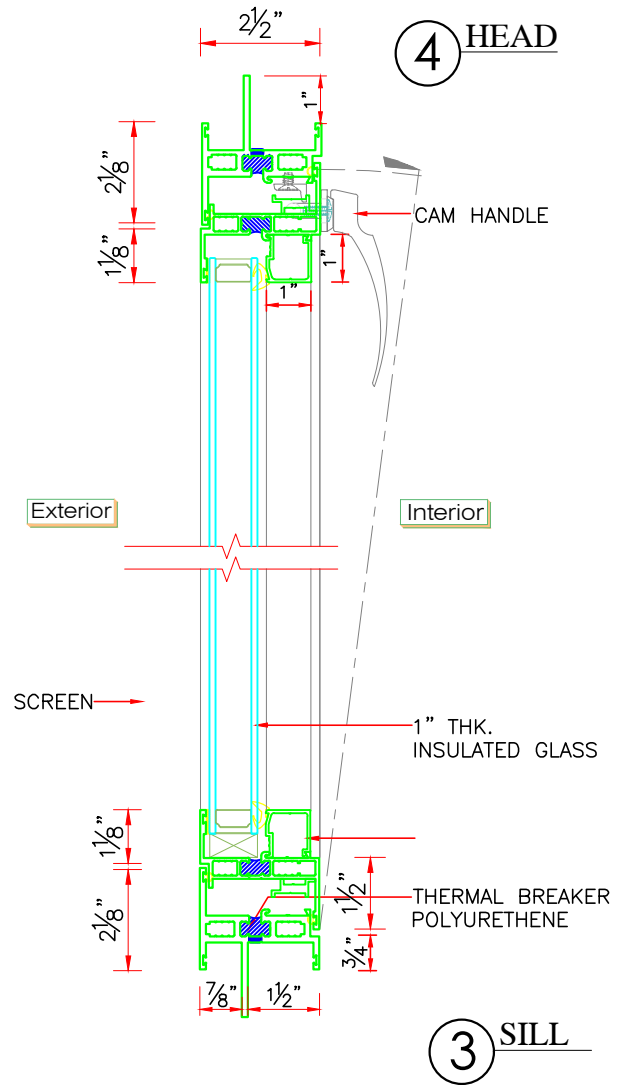


**SERIES 5202 HOPPER**  
**WINDOW WITH 1" BLDRS. FIN**  
**LC40 or CW40**  
**4'0" x 2'8"**



**TYPICAL SECTIONAL DETAILS**

SHEET #	Drawn by:	Customer	Revisions			<p style="text-align: center;"><b>WINDOW TECH SYSTEMS</b></p> <p style="text-align: center;">15 OLD STONEBREAK ROAD MALTA, NY 12020</p> <p style="text-align: center;">800-999-9855 FAX: 518-899-4104 info@windowtechsystems.net</p>	
	Checked by:		No.	Date	Description		
	Date:		Project :				
	Scale: 3" = 1'-0"						