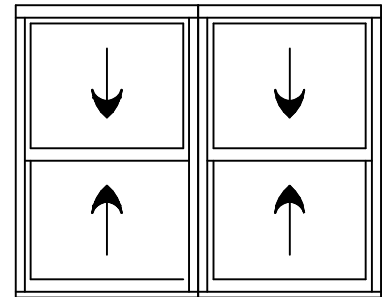
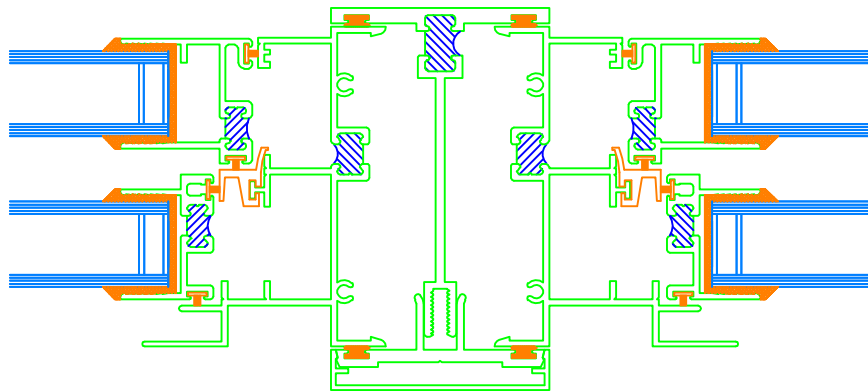


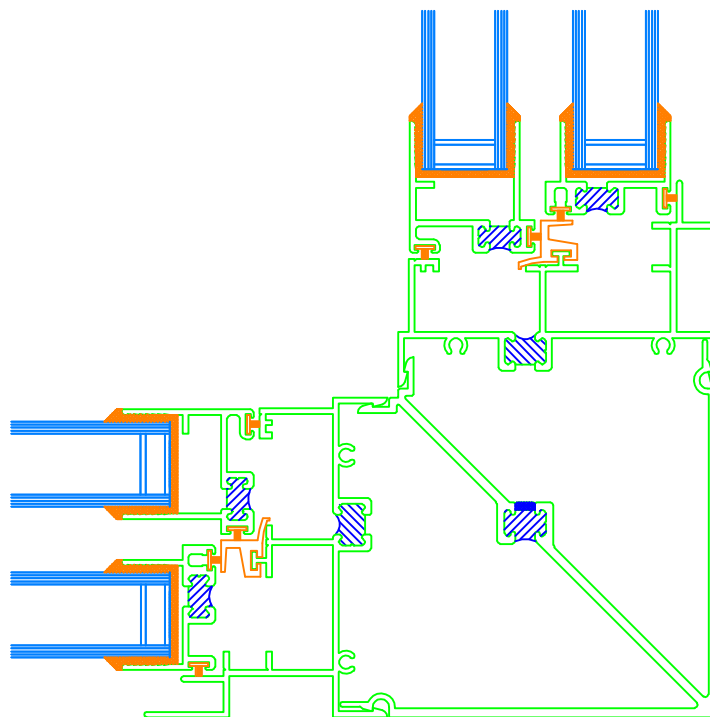
SERIES 7000 MULL OPTIONS DOUBLE HUNG : DOUBLE HUNG

3 PIECE MULLION



7000DH - 7000DH

90° CORNER MULLION



3 1/4" DEPTH FRAME

1/2 SCALE